



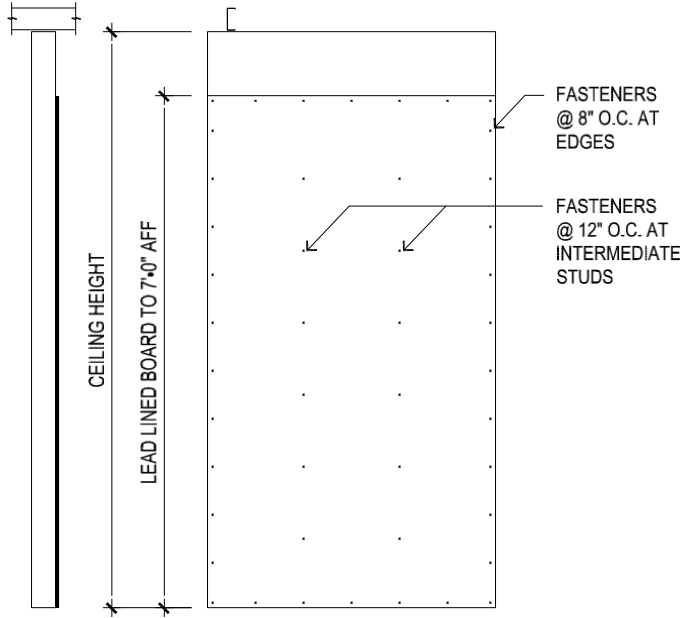
INSTALLATION GUIDELINES FOR LEAD-LINED GYPSUM WALLBOARD

- 1) Install lead strips (battens), minimum 2 inches wide and same height and thickness as gypsum board lead lining, to face of supports/studs and blocking where all vertical joints, inside corners and outside corners occur. Secure lead batten-strips to supports/studs.
 - a) Supports/studs must be vertical and set a maximum of 16 inches on center for installation of lead-lined gypsum wallboard.
- 2) Shim supports/studs and other framing members as necessary to provide flat, flushed finished surfaces.
- 3) Apply gypsum board vertically, with long edges parallel to supports and with lead lining facing supports. Provide blocking at end joints. Secure gypsum board to supports/studs with fasteners spaced not more than 8 inches on center along edges of board and 12 inches on center in field of board. Drive fasteners slightly below exposed surface.
- 4) Lead discs (buttons/tabs) are to be applied over the head of each fastener that penetrates lead backing. Glue may be used if desired, but is not necessary.
 - a) All penetrations in lead-lined walls are to be backed with lead of the same thickness as on surrounding wall, with proper overlaps.
 - b) Where outlet boxes, junction boxes, ducts, conduit and similar items prevent the use of shields, provide lead sleeves or lead lining/backing as required, with proper overlaps. Provide lead lining, sleeves, shields and other protections of equivalent thickness of lead as used in the wall partition shielding system in which each penetration occurs.
- 5) All lead trimmings must be recycled or disposed of in compliance with applicable health, safety and environmental codes and regulations. Properly clean up and recycle or dispose of all sheet lead trimmings and debris. Never dispose of lead materials in general trash or refuse.
 - a) Lead trimmings (scrap/"extra" lead) can be returned to Santa Rosa Lead Products to ensure proper disposal. Upon request (and depending on location), Santa Rosa Lead Products will gladly pick up your scrap at no charge. Just give us a call!

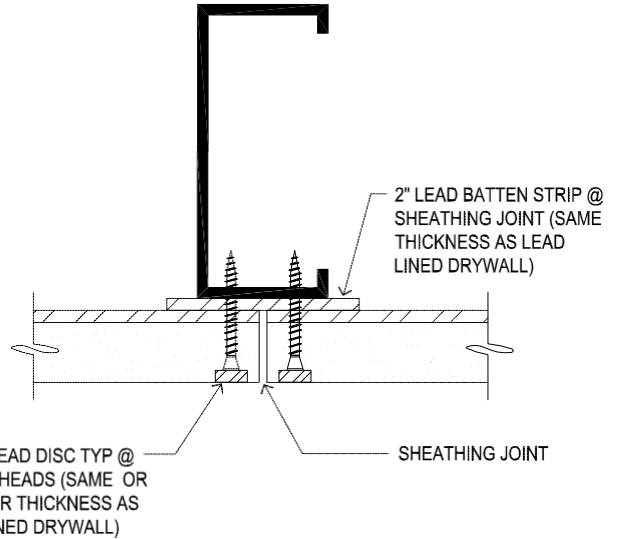
RADIATION SHIELDING LEAD LINED DRYWALL



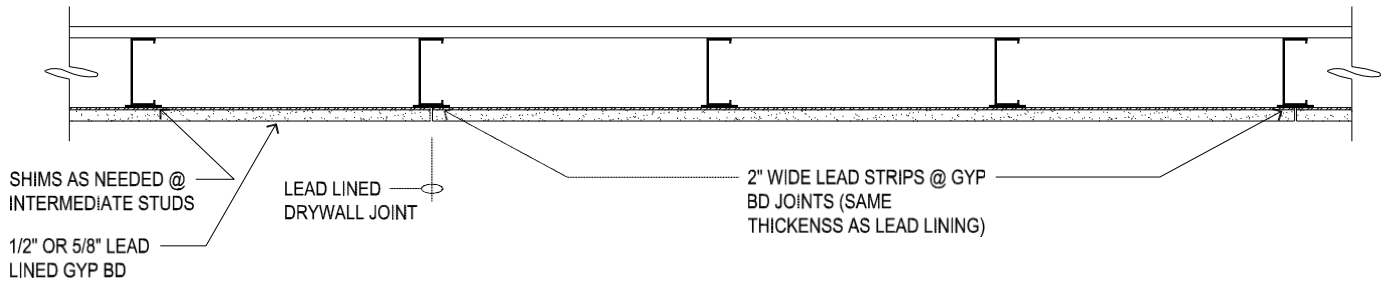
Ph: 800-916-5323
 Fax: 707-431-1749
www.santarosalead.com



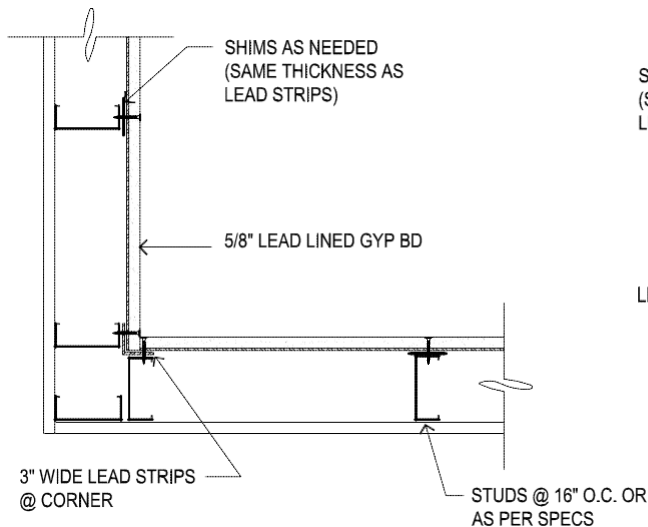
**LEAD LINED GYPSUM BOARD
TO HEIGHT INDICATED**



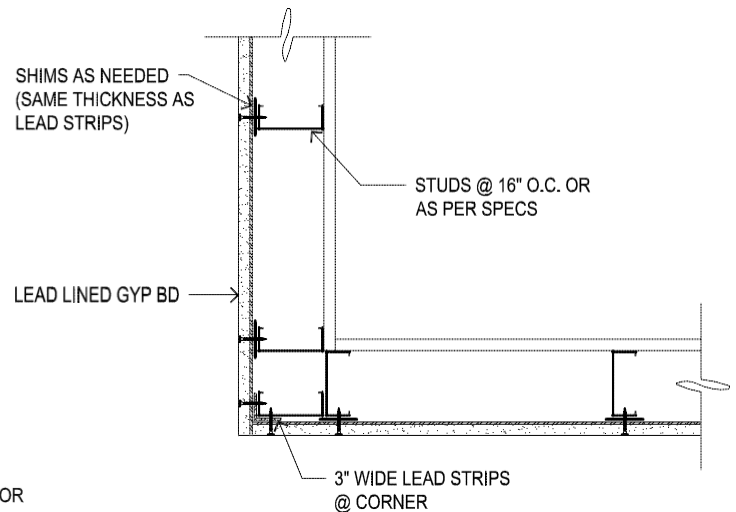
**TYPICAL JOINT
DETAIL**



WALL DETAIL



INSIDE CORNER STUDS

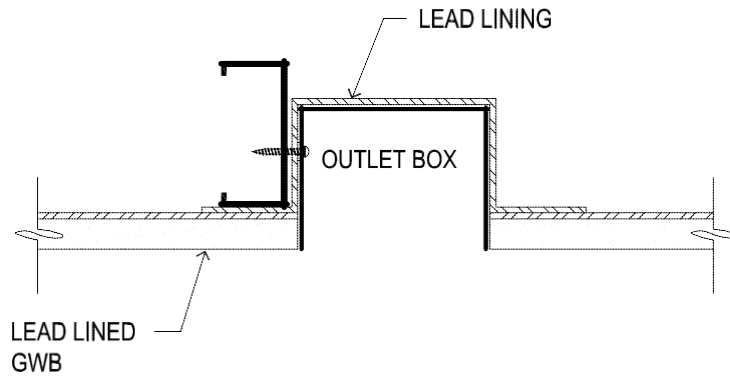


OUTSIDE CORNER STUDS

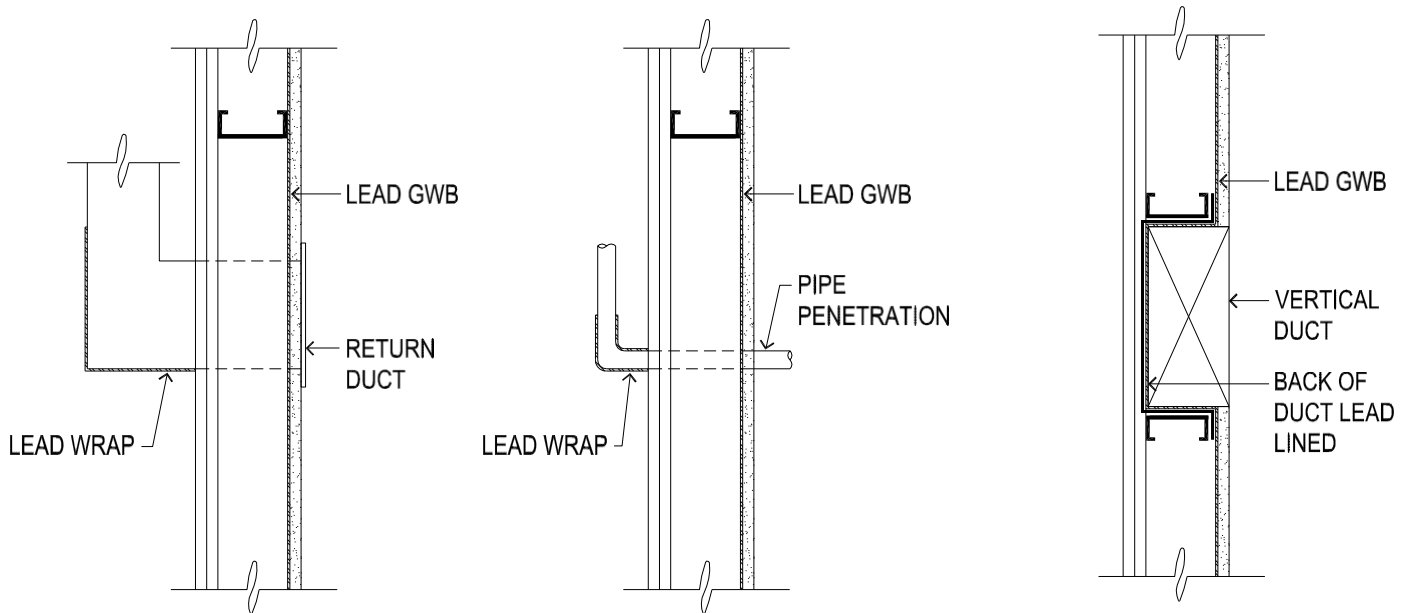
RADIATION SHIELDING
DRYWALL CUT OUTS AND
PENETRATIONS



Ph: 800-916-5323
Fax: 707-431-1749
www.santarosalead.com



LEAD FOR OUTLET BOXES AND
SWITCH BOXES



THRU DUCT WRAP

TYP PIPE WRAP

WALL DUCT

RADIATION SHIELDING
LEAD LINED DRYWALL
INSTALLATION INFORMATION



Ph: 800-916-5323
Fax: 707-431-1749
www.santarosalead.com

Lead-Laminated Gypsum Board: Single unpierced layer of sheet lead laminated to back of gypsum board.

Lead Lined Drywall (also referred to as Lead Lined Sheetrock or Lead Lined Gypsum) supplied with lead lining bonded to 1/2" or 5/8" drywall.

2" lead batten strips of the same lead thickness and height of lead lined drywall are required to provide the necessary 1" overlap with adjoining Lead Lined Drywall sheets.

5/16" diameter lead discs, same thickness as sheet lead, may be required at screw heads. Lead angle of same thickness lead may be used in place of discs.

3" minimum lead corner batten strips, same lead thickness and height of lead lined drywall, are required for inside and outside corners of wall intersections. This lead is bent on angle to create a 1-1/2" center on both sides of lead.

Screw Fasteners: Type S Bugle Head, length as required.

The Lead Lined Drywall should be fastened at a minimum of 8" on center at the edges of each sheet, and at minimum of 12" on center at the intermediate studs with normal drywall screws.

Comply with manufacturer's recommendations for wrapping electrical outlet boxes, view window frames, and other penetrations through lead barrier material with sheet lead to provide radiation protection to levels indicated or levels required to match adjacent wall protection.

Wherever lead protection is penetrated, cut, or punctured, assure continuity of shielding by use of sheet lead (same thickness as sheet lead), lead plugs or other approved method.

Install sheet lead lining within steel door frames to provide radiation protection to levels indicated or levels required to match adjacent wall protection.